



INSTRUCTION BULLETIN

No. 9005048
Machine: S30/S30 X4/
S30 XP
Published: 08-2008
Rev. 00

NOTE: DO NOT DISCARD the Parts List from the Instruction Bulletin. Place the Parts List in the appropriate place in the machine manual for future reference. Retaining the Parts List will make it easier to reorder individual parts and will save the cost of ordering an entire kit.

NOTE: Numbers in parenthesis () are reference numbers for parts listed in Bill of Materials.

Installation instructions for **kit number 9005047**

SYNOPSIS:

This kit contains the parts needed to install a filter box strap kit on S30/S30 XP/S30 X4 machines. Please follow step-by-step instructions.

SPECIAL TOOLS / CONSIDERATIONS: NONE

(Estimated time to complete: 20 minutes)

PREPARATION:

1. Park the machine on a clean level surface, turn off the machine, remove the key, and set the parking brake.

FOR SAFETY: Before leaving or servicing machine, stop on level surface, turn off machine, and remove key.

2. Open the top cover and side shroud.
3. Remove the star knobs from the filter shaker door. Discard the knobs. Refer to Fig. 2.

INSTALLATION:

1. Drill a hole into the filter shaker door. Refer to Fig. 1 for the location and size of the hole.

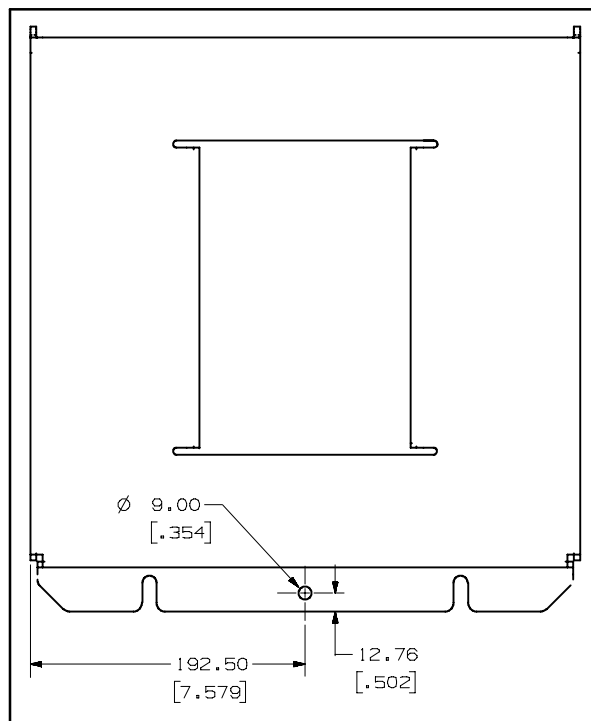


FIG. 1

2. Install a rubber strap (2) onto each star knob (1). Refer to Fig. 2.
3. Use a hex screw (3), flat washer (4), and hex nut (5) to install both rubber straps (2) / star knobs (1) onto the filter shaker door. Refer to Fig. 2.
4. Install the star knobs (1) to secure the filter shaker door to the filter shaker assembly. Refer to Fig. 2.

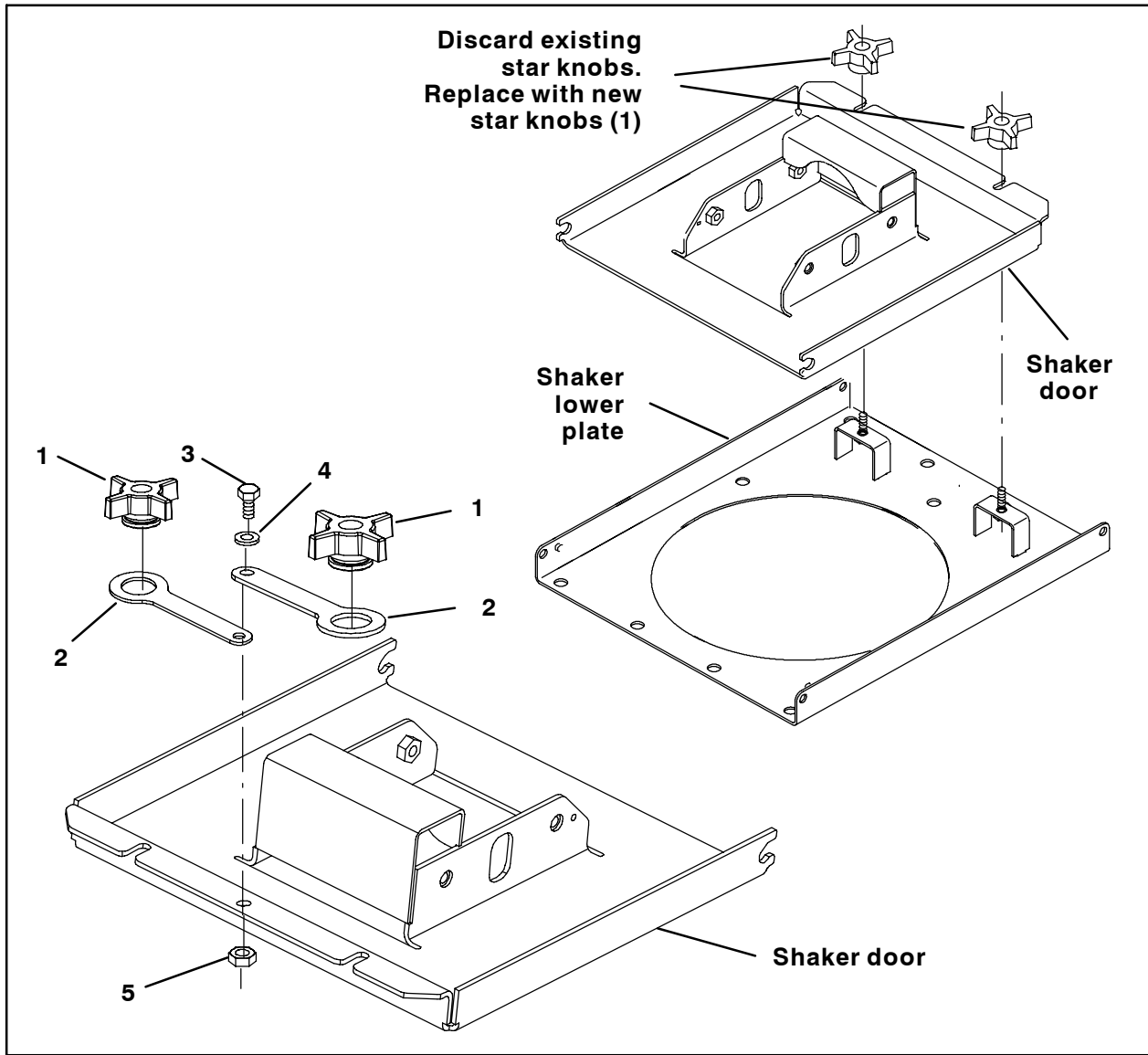


FIG. 2

Bill of Materials for Strap Kit, Knob, Fltr Box [S30] - 9005047

Ref.	Tennant Part No.	Description	Qty.
▽	9005047	Strap Kit, Knob, Fltr Box [S30]	1
▲	1	1048335 Knob, Star, 2.75D 4 Ear 1.1L M8 X 1.25	2
▲	2	1048353 Strap, Rbr	2
▲	3	16931 Screw, Hex, M8 X 1.25 X 20, 8.8	1
▲	4	39349 Washer, Flat, 0.31, SAE	1
▲	5	39311 Nut, Hex, Std, M8 X 1.25	1

TENNANT COMPANY
P. O. Box 1452
Minneapolis, MN 55440-1452